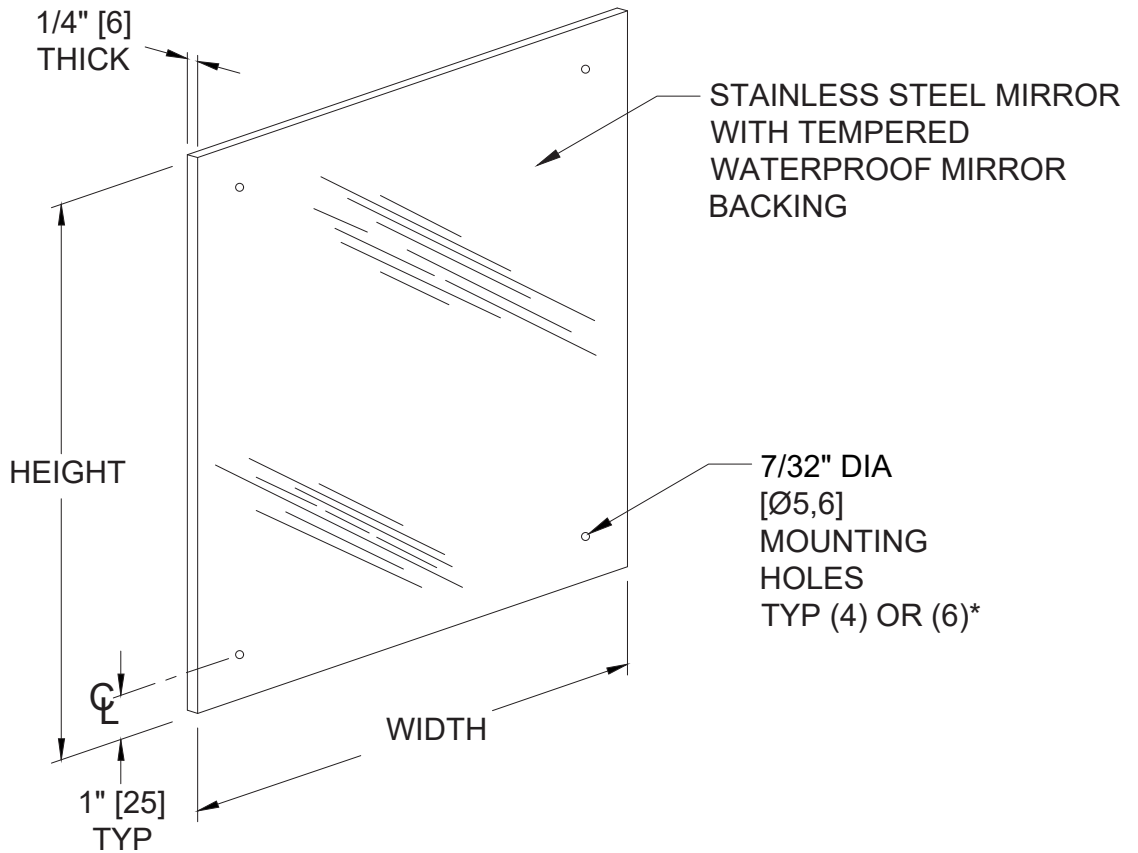


Frameless Stainless Steel Mirror with Masonite Backing - Variable Sizes

Mirrors

MasterFormat Section 10 28 13



Scan for Information



SUSTAINABILITY/LEED

MR 4.1 (1) MR 6 (1) EQ 4.2 (1)
MR 4.2 (1) EQ 4.1 (1) EQ 4.4 (1)

NOTE:
ALL DIM'S INCH [MM]
ILLUSTRATION FOR REF ONLY AND NTS
FOR CLEANING INSTRUCTIONS SEE APPROPRIATE SECTIONS IN
PRODUCT CARE & MAINTENANCE BULLETIN (PCM) ON ASI WEBSITE

PRODUCT OVERVIEW

Fabricated of 20 gauge type 304, alloy 18-8 stainless steel polished to a #8 mirror finish with a 1/4" [6] return. Provided with thick concealed tempered backing and 4* mounting holes. Variable sizes available.

KEY FEATURES & SPECIFICATIONS

- Frameless mirror has a #8 polished stainless steel reflective surface
- 20 gauge stainless steel
- Type 304, alloy 18-8 stainless steel - Polished Finish
- Surface Mounted*
- Tempered hardboard backing
- Various sizes

TECHNICAL INFORMATION / PRODUCT PROPERTIES

Property	Value
Dimensions	See Charted Sizes Below; Manufacturing Tolerance on Nominal W x H sizes is +0" / -1/2"
Construction	20 gauge type 304, alloy 18-8 stainless steel w/ #8 mirror finish
Mounting	Surface Mounted*
Materials	Mirror: 20 gauge type 304, alloy 18-8 stainless steel polished to a #8 mirror finish. Backing: Tempered Hardboard

INSTALLATION

Surface mount unit to wall using hardware supplied by installer through four (4) or six (6) mounting holes provided.
 Designer's Note: The reflective quality of a stainless steel mirror is not as true as plate glass. It is not recommended that a mirror of this type be made larger than 48" W x 24" H because image quality degrades (distortion) with increased surface size.

SIZE OPTIONS

Metal Mirrors	8026-1620 - 15-1/2" W x 19-1/2" H [394 x 495]	8026-1624 - 15-1/2" W x 23-1/2" H [394 x 597]
	8026-1824 - 17-1/2" W x 23-1/2" H [445 x 597]	8026-1830 - 17-1/2" W x 29-1/2" H [445 x 749]
	8026-1836 - 17-1/2" W x 35-1/2" H [445 x 902]	8026-2430 - 23-1/2" W x 29-1/2" H [597 x 749]
	8026-2436 - 23-1/2" W x 35-1/2" H [597 x 902]	8026-4824 - 47-1/2" W x 23-1/2" H [1207 x 597]*

* Note sizes with any side dimension larger than 36" [914] will have three (3) mounting holes on that side.

GLAZING OPTIONS
WARRANTY

One (1) Year from date of Invoice